

PU100QB

IEEE802.3bt 2.5G/1G 60/90w PoE Injector



Product Overview

PU100QB is a single port, IEEE 802.3bt 60/90w PoE Injector solution with 2.5Gbps/1Gbps Ethernet for remote PoE PD devices. Delivering up to 60/90W through 8 pins, the PU100QB supplies remote power for new applications such as wireless Access Points, Pan-Tilt-Zoom (PTZ) IP cameras, Thin-Client Panel display for digital signage and IP video-phones. It complies to IEEE 802.3bt PoE++ standard to deliver 60/90w on both end-point and midspan pairs with a total power of 60/90w PoE output. It can work with 10/100/1000Base-T networking devices and emerging 2.5Gbps Ethernet devices such as Wi-MAX and wireless IEEE 802.11n access points.



Key Features

- Up to 60/90W of PoE Power Feeding on 4-pairs
- IEEE 802.3bt Compliant
- IEEE 802.3at/af backward compatible
- Compatible with IEEE 802.3af or Legacy PoE application devices
- Safe on Low Power Devices Receive Only the Power They Need
- Safe and Reliable Power to WLAN Access Points
- Automatic Detection and Protection of Non-standard Ethernet Terminal Devices
- Supports 10/100/1000Mbps, and 2.5Gbps Ethernet LAN environment

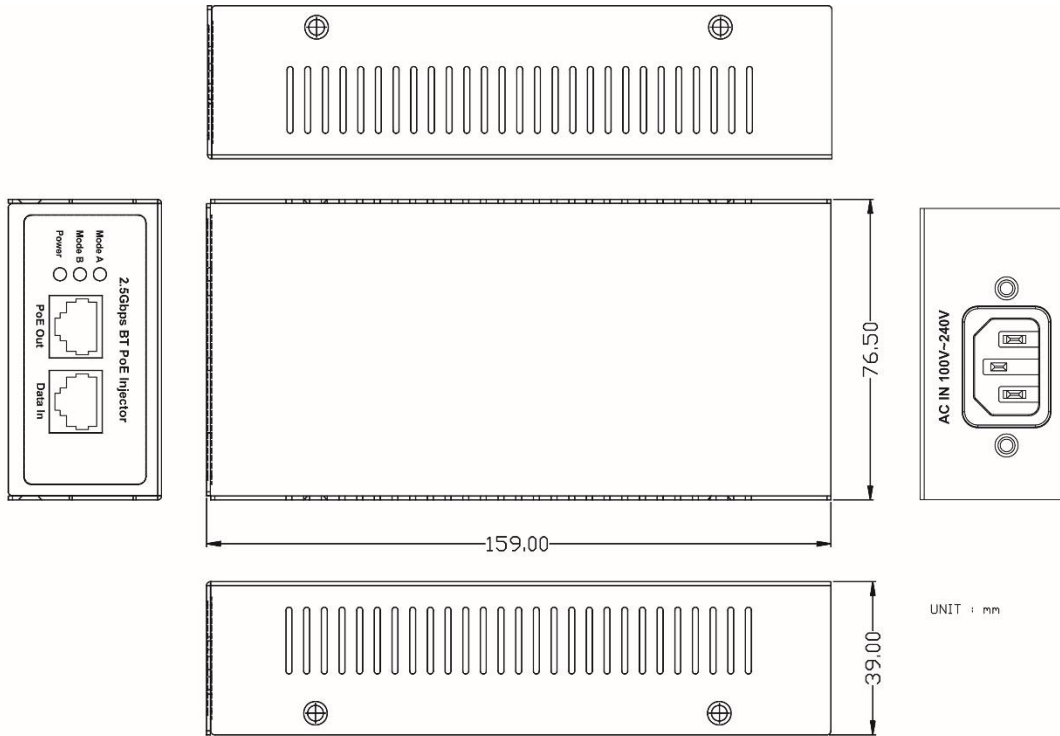


Technical Specifications

No. of PoE PSE Ports	1 port IEEE 802.3bt/at/af PoE
Data Speed	10/100/1000Mbps, 2.5Gbps
Pin Assignment and Polarity	1/2(-), 3/6(+), 4/5(+), 7/8(-)
Output Power Voltage	56 VDC Maximal
PoE power output	60/90 Watts Maximal
Input Power Voltage	100-240 VAC, 50/60Hz
Dimensions	180 x 71 x 37 mm
Weight	530g
Indicators	System Indicator: AC Power (Green)
Connectors	RJ-45
Operating Ambient Temperature	0 to 40 °C

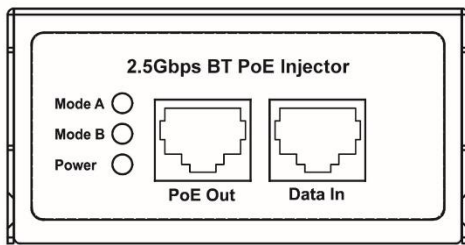


Dimensions

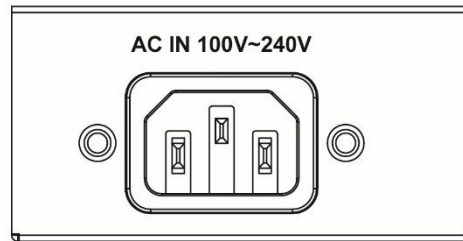


Panel

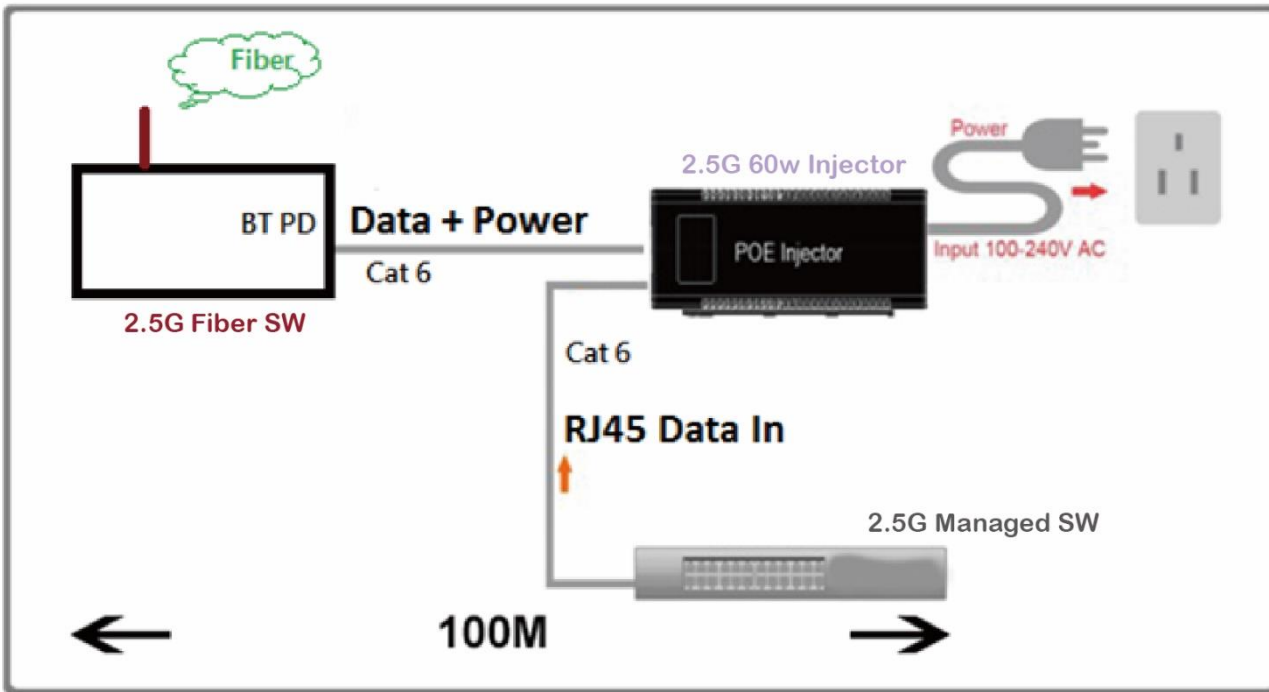
Front Panel



Rear Panel



Application



Ordering Information:

PU100QB-60	60w PoE 10/100/1000Mbps, 2.5G Injector, IEEE802.3bt/at/af Compliant
PU100QB-90	90w PoE 10/100/1000Mbps, 2.5G Injector, IEEE802.3bt/at/af Compliant

