



SP208GM

PoE Surge Protection Device



Yoda SP208GM is a surge protection device to provide Signal/Power path and surge protection capability. It employed our patented surge blocker with shunt devices and parallel devices to guarantee the safety of your device, even there is no secondary protection on your board. Additionally, the operation indicator will turn on while protector being out of life.



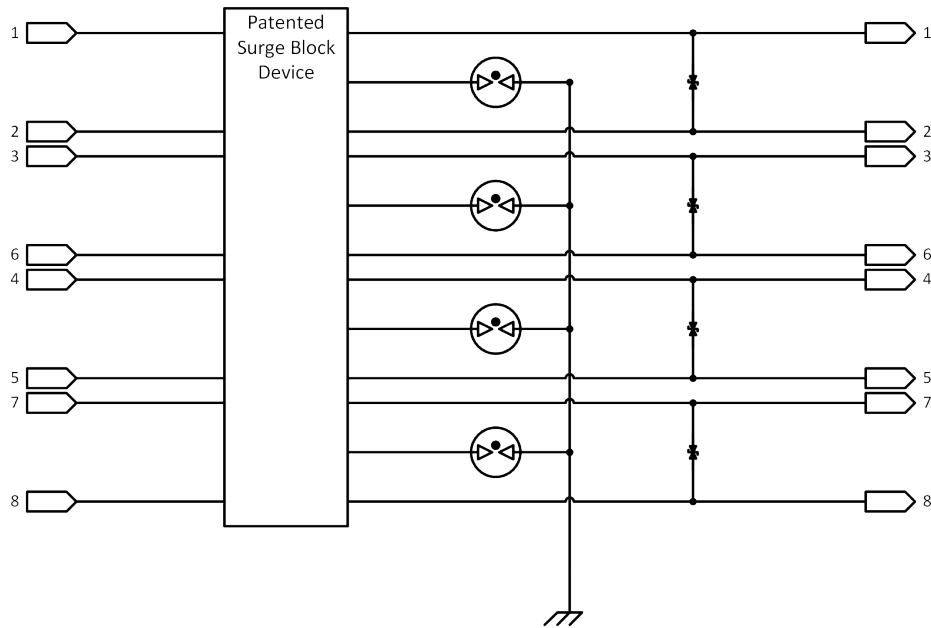
Front View



Side View

Key Features

- ◆ Gigabit PoE (802.3af / 802.3at)
- ◆ Protect all 8 lines (CAT5 / CAT6)
- ◆ Failure Indicator
- ◆ IEC 61643-21
- ◆ IEC 61000-4-5
- ◆ ITU-T K-Series



DEVICE CHARACTERISTICS

Electrical Characteristics			
Parameter	Symbol	Value	Units
Max Discharge Current (8/20us, 1KA per Line) ^{Note}	I_{PP}	8	KA
Maximum Operation DC Voltage	V_{RWM}	60	VDC
Maximum Operation DC Current	I_{DC}	1	A
Common Mode Protection Level (10/700us)	V_{CMP}	20	KV
Differential Mode Protection Level (10/700us)	V_{DMP}	4	KV
Clamping Voltage (Line to GND)	V_{CCM}	600	V
Clamping Voltage (Line to Line)	V_{CDM}	20	V
Operation Temperature	T_J	-40~85	°C



Data Rate		10/100/1000	Mb/s
Insertion Loss @ 10MHz/100MHz	IL (Max)	1	dB
Return Loss @ 10MHz/100MHz	RL (Max)	-20	dB
Response Time		5	ns

Note : Max 8KA total discharge current can be reached only when currents are balanced on each line.

TRANSFER CHARACTERISTICS

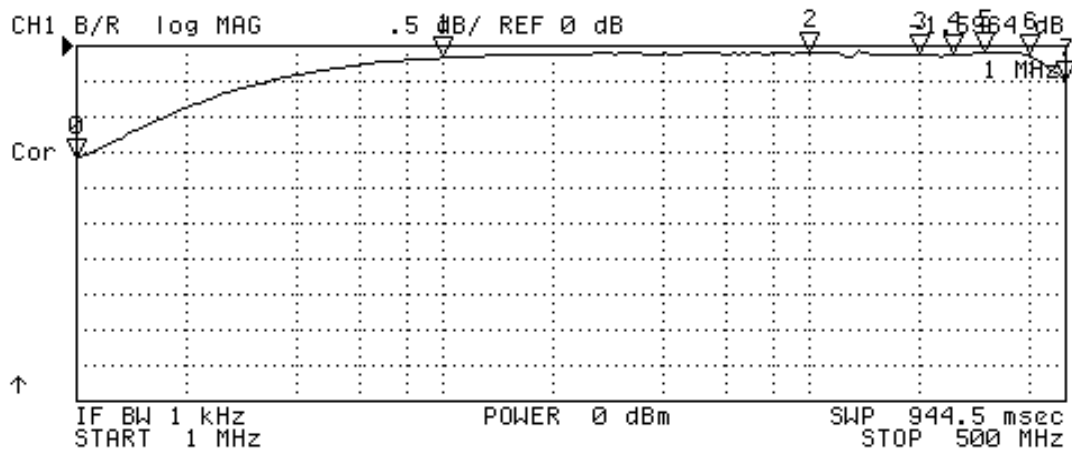
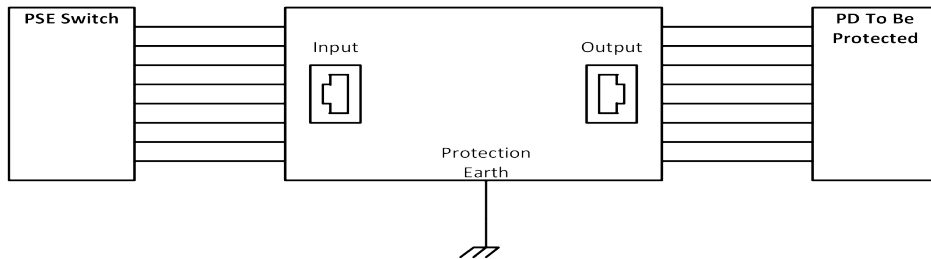


Fig.2 Insertion Loss



Application



PD ONBOARD CONFIGURATION

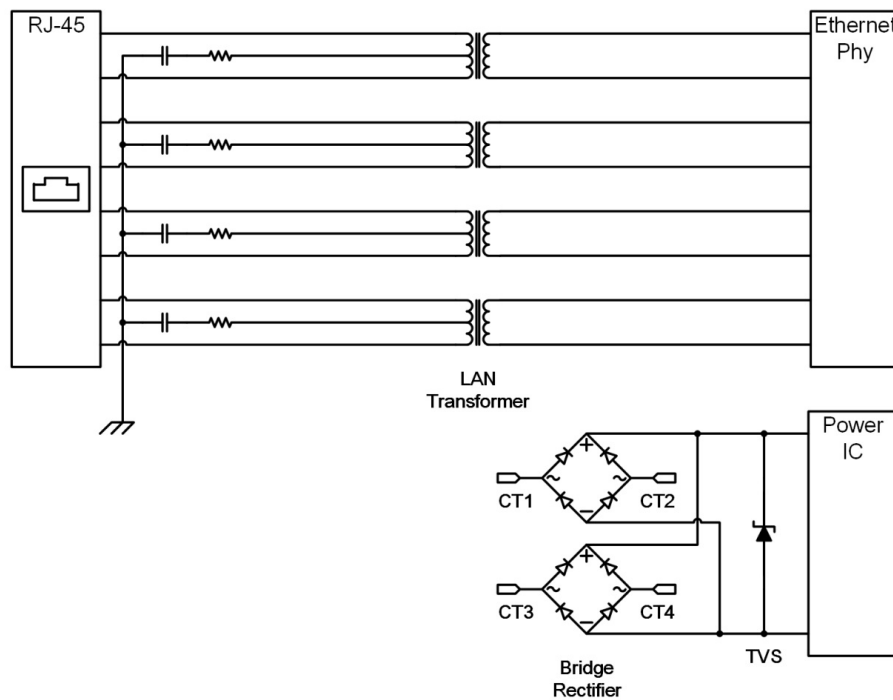
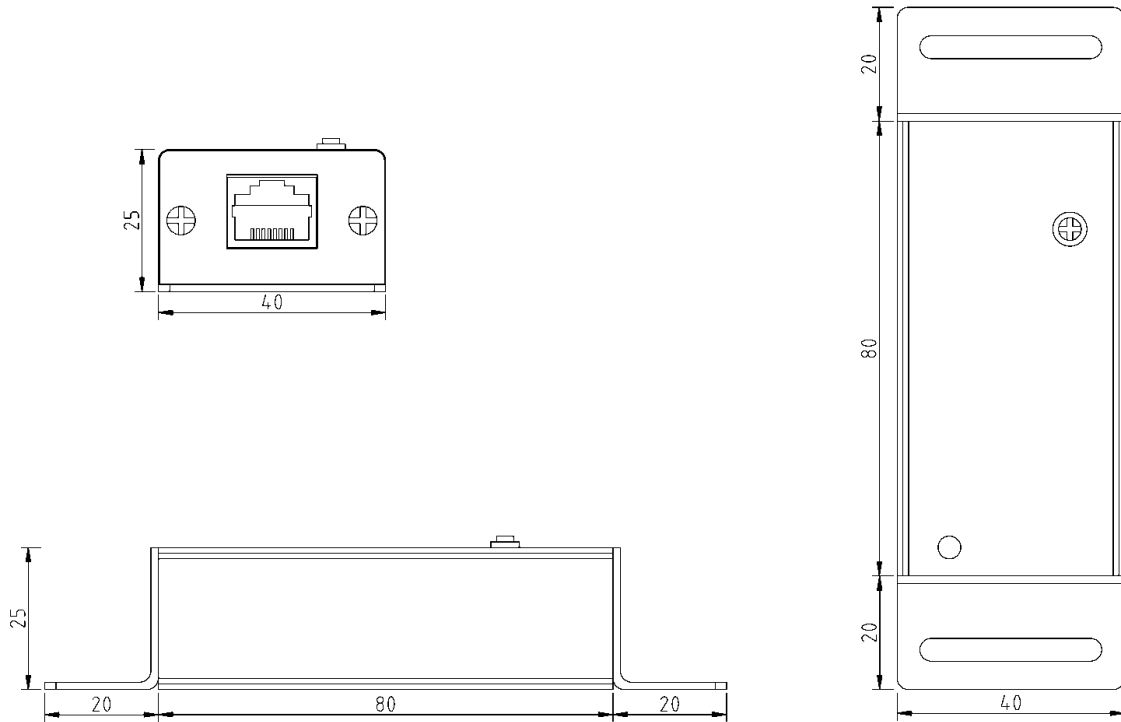


Fig.4 Recommend PD Configuration



DEVICE OUTLINE

Dimension : mm

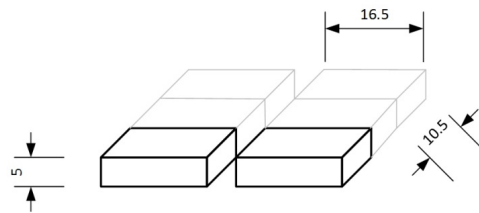


Order Information

SP208GM – Single port RJ45 Gigabit PoE (802.3af / 802.3at) surge protection device

Package Contents

Quick Installation Guide



Inner Box : 16.5 x 10.5 x 5 cm
Carton : 36 x 36 x 31 cm
Qty : 36 PCS/Carton

