

# PW541UG 5-Port GE Switch

## 4-Port Ultra 60w PoE Output



PW541UG is 5p Gigabit Switch with 4p Ultra PoE that each PoE port able to inject 60w power over Cat5e cable for 100 meters. It is good to support those IP cam with PoE power demand of more than 30w. With easy configuration DIP switch design, PW541UG provides two PoE options: Mode A (PoE via pin 4,5,7,8) or Mode B (PoE via pin 1,2,3,6) for IEEE 802.3at/af PoE Standard, or ultra 60w PoE if both DIP switches are in On position for specific port. The ultra 60w PoE is working with PoE Extender or Repeater for getting more power for overall PoE power distribution for those PoE IP camera connected.

PW541UG does not require complicate setting and the installation is only plug and play. Its wall-mounted and compact design are popular for installation consideration.

### Key Features

- Embedded high power injector max. 60W for each PoE port
- IEEE 802.3at/af PoE compliant
- Power Protection: OVP, OCP, SCP
- Compact design with wall mounted capability
- UL/CB -certified external power adaptor of 90w/120w/250w
- Per port PoE(Mode A, Mode B) On-Off Control by DIP Switch

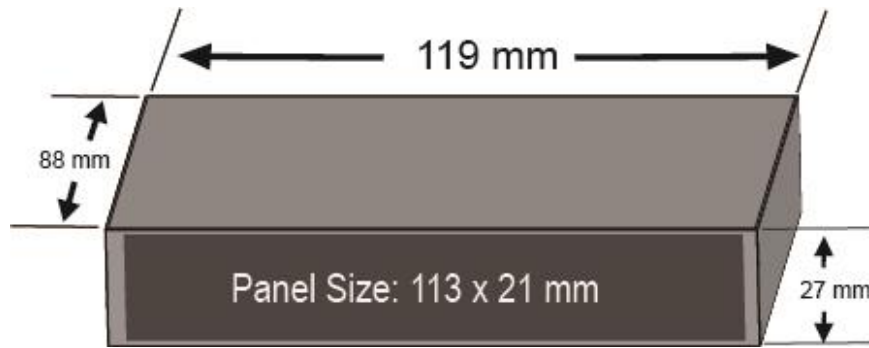


## Technical Specifications

Standard Compliance	IEEE 802.3 10-BASE-T (Ethernet)
	IEEE 802.3u 100-BASE-TX (Fast Ethernet)
	IEEE 802.3ab 1000BASE-T (Gigabit Ethernet)
	IEEE 802.3x Flow Control (full-duplex flow control)
	IEEE 802.3af Power over Ethernet
	IEEE 802.3at Power over Ethernet Plus
Ports	5 x GE ports Auto-MDIX, 4 x ports PoE / PoE+ (Ultra PoE)
MAC Address	2K
Buffer Memory	12 KB
Switch Fabric	10 Gbps
PoE Standard	IEEE 802.3af/af PoE / midspan PSE compliant
Power Input	AC input: 100 to 240 VAC, 50/60 Hz
PoE Power Output	Per Port 48V ~56V DC, Max. 60 watts
Power Pin Assignment	1/2(+), 3/6(-), 4/5(+), 7/8(-)
PoE Power Budget	120 Watts (optional 90w or 250w)
Operating Temperature	0° ~ 40°C
Storage Temperature	-40 to 70 °C
Dimensions (W x D x H) Device	119 x 88 x 27 mm
Weight (1 PC/Brown Box)	1.3 kgs / 235*145*80 mm
Shipping Carton (10 PCs)	13.5 kgs/ 422*310*252mm
Warranty	Limited Lifetime Warranty

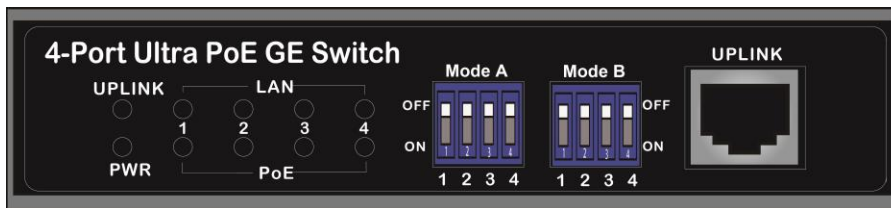


## Dimensions

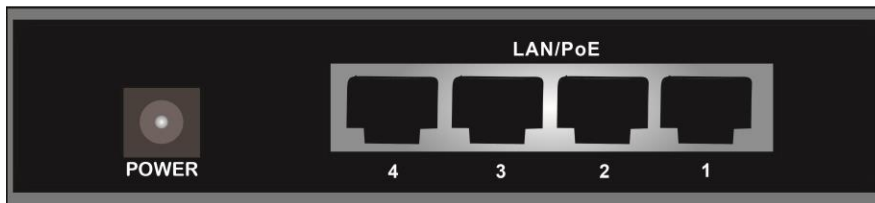


## Panel

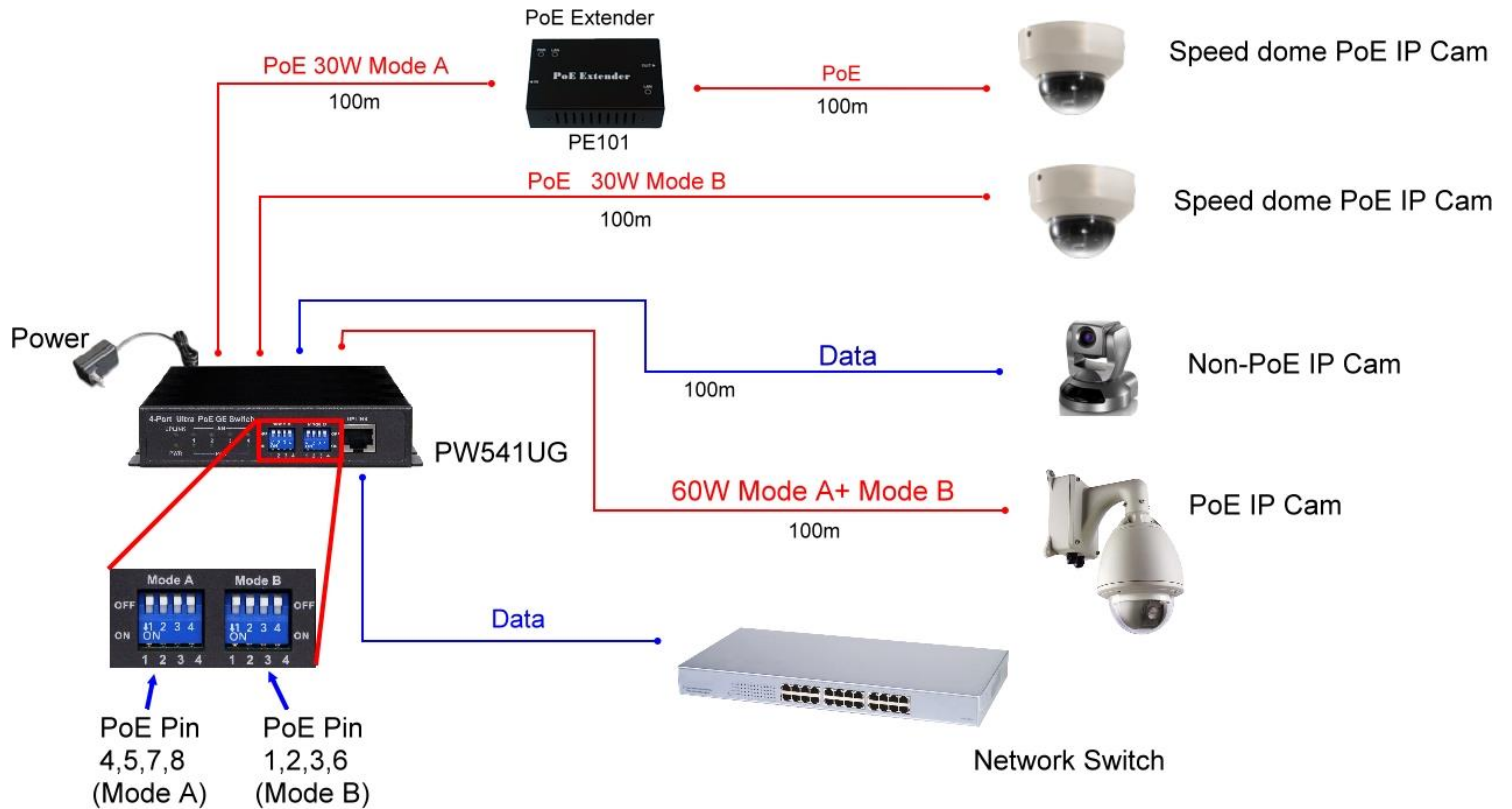
### Front Panel



### Rear Panel



## Application



## Ordering Information

PW541UGN	5-p GE Switch, 4-p Ultra with external power adaptor of 90w , DIP On/Off PoE
PW541UG	5-p GE Switch, 4-p Ultra PoE with external power adaptor of 120w, DIP On/Off PoE
PW541UGA	5-p GE Switch, 4-p Ultra PoE with external power adaptor of 250w, DIP On/Off PoE

