

PU100GB

IEEE 802.3bt Gigabit Injector 60w



Product Overview

PU100GB is a single port, IEEE 802.3bt 60w PoE PSE solution for remote PoE PD devices. Generating up to 60W through 8 pins, PU100GB supplies remote power for new applications such as wireless Access Points, pan-tilt-zoom (PTZ) IP cameras, lighting, Panel display for digital signage and video-phones. It complies to IEEE 802.3bt PoE++ standard to deliver 60w on both end-point and midspan pairs with a total power of 60w PoE output. It can work with 10/100Base-T networking devices and emerging 1000Base-T devices such as Wi-MAX and wireless IEEE 802.11n access points.



Key Features

- Up to 60W of PoE Power Feeding on 4-pairs
- IEEE 802.3bt Compliant
- IEEE 802.3at/af backward compatible
- Compatible with IEEE 802.3af or Legacy PoE applications
- Safe on Low Power Devices Receive Only the Power They Need
- Safe and Reliable Power to WLAN Access Points
- Automatic Detection and Protection of Non-standard Ethernet Terminals
- Supports 10/100/1000Base-T LAN environment

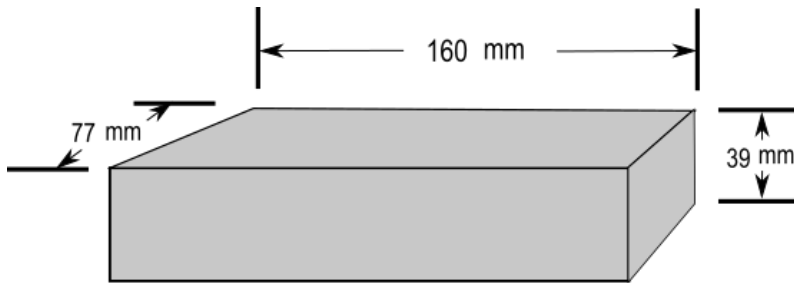


Technical Specifications

No. of PoE PSE Ports	1 port IEEE 802.3bt/at/af PoE
Pass Through Data Rates	10/100/1000Mbps
Pin Assignment and Polarity	1/2(-), 3/6(+), 4/5(+),7/8(-)
Output Power Voltage	56 VDC Maximal
User Port Power	60 Watts Maximal
Input Power Voltage	100-240 VAC
Dimensions	160 x 77 x 39 mm
Weight	530g
Indicators	System Indicator: AC Power (Green)
Connectors	RJ-45
Operating Ambient Temperature	0 to 40 °C

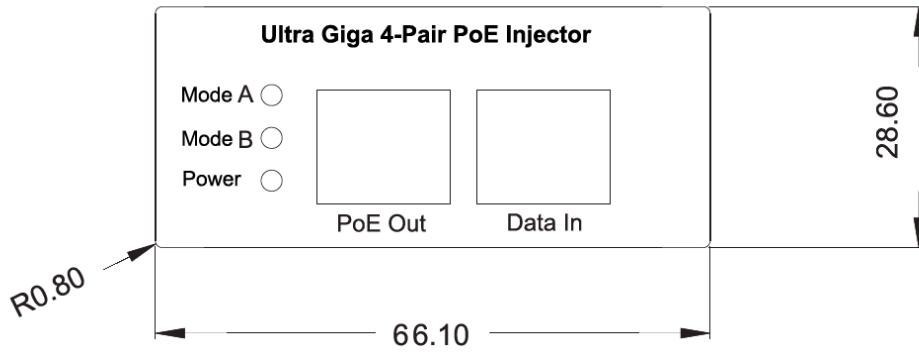


Dimensions

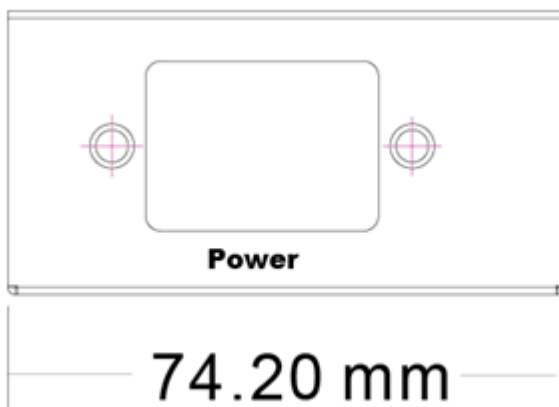


Panel

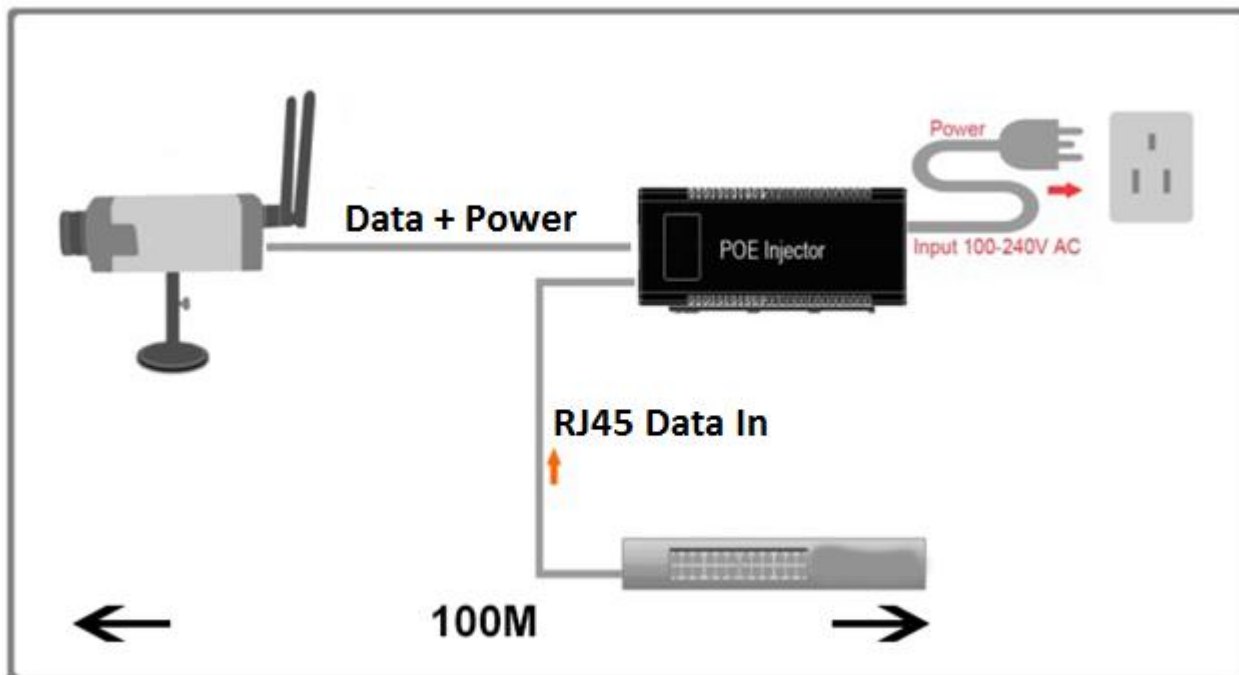
Front Panel



Rear Panel



Application



Ordering Information

PU100GB-60	60w PoE Giga Injector, 802.3bt/at/af PD Detection
PU100GB-90	90w PoE Giga Injector, 802.3bt/at/af PD Detection
PU100GB-120	120w PoE Giga Injector, 802.3bt/at/af PD Detection

