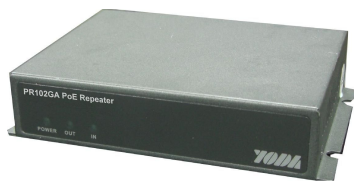


# PR102GA

## 2p Gigabit 802.3at PoE Repeater



PR102GA Front View



PR102GA Rear View



PR102GA-ODU Front View



PR102GA-ODU Side View

PR102GA is a 2-port IEEE 802.3at High Power Power-over-Ethernet (PoE+) Repeater providing a 10/100/1000Mbps Ethernet transmission for 100-meter distance with two ports out of power over Ethernet capability. It forwards both 10/100/1000M Ethernet and PoE for another 330ft (100m) using an innovative power-processing scheme, and multiple units can be deployed in series for even longer distances without degradation in network speed or latency.

Powered by a 10/100/1000Mbps PoE switch (or PoE injector), PR102GA requires no local power in the middle of the cable making it extremely easy to connect and power IP cameras for two or three times further.

For a simple application, a PR102GA allows to connect one PoE Device (PD) located 200 meters away from the Gigabit Ethernet PoE switch. The PoE switch delivers PoE power over the first 100 meters of Cat5E cable to the PR102GA, and the PR102GA restores the Ethernet signal and forwards remaining PoE power to two PoE PD devices 100m away. The PR102GA requires no local power supply, and the PR102GA presents

### **Yoda Communications, Inc.**

2F, No. 3-1, Industry East Road IX, Science Based Industrial Park, HsinChu, Taiwan  
Tel: +886-3-5632323 Fax: +886-3-5636420 Web: [www.yoda.com.tw](http://www.yoda.com.tw)



no restriction to the Ethernet network connection. Outdoor units of PR102GA-ODU are also available with IP65 rating enclosures.

### Advantages:

- Extends Ethernet cable installation for another 100 meters
- No local power required
- Fully 10/100/1000M Ethernet protocol transparent – no restrictions to network traffic
- 10/100/1000Mbps Ethernet Wire Speed
- Compatible with IEEE 802.3at/af PoE and midspan PoE standards
- IP65 Weather-Proof for PR102GA-ODU outdoor unit
- Simple installation – Plug & Play

### PoE Repeater Specifications:

#### Ethernet Interface:

- IEEE 802.3x, Auto-Detection for 10/100/1000BaseT and full/half duplex
- Automatic MDI/MDIX function
- PoE Input Port: RJ-45 Connector x 1
- PoE Output Port : RJ-45 Connector x 2
- Port-based VLAN function for LAN ports (option)

#### POWER:

- IEEE 802.3at Compliant with voltage within 44-57 Volt
- Maximum Power Dissipation: 2.5 Watts

#### LED Indicators:

- **POWER:** Power is ON
- **POE IN:** GE Port with PoE IN
- **POE OUT1:** GE Port with PoE OUT
- **POE OUT2:** GE Port with PoE OUT

#### Regulations & Approvals:

- FCC Rules Part 15
- CE

#### Physical Dimension:

**PR102GA** WxDxH: 120 x 90 x 28 (mm)

**PR102GA-ODU** WxDxH: 180 x 165 x 95 (mm)

#### **Yoda Communications, Inc.**

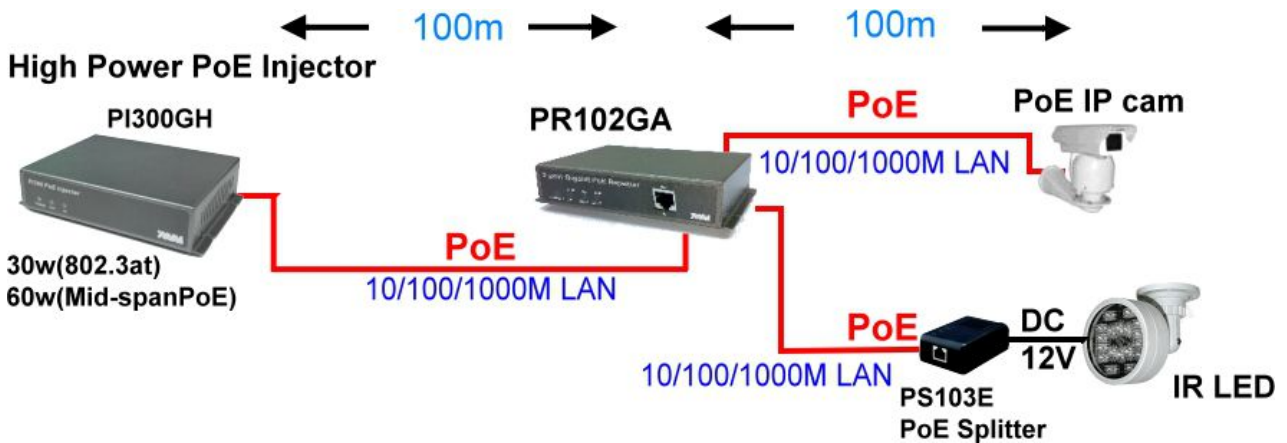
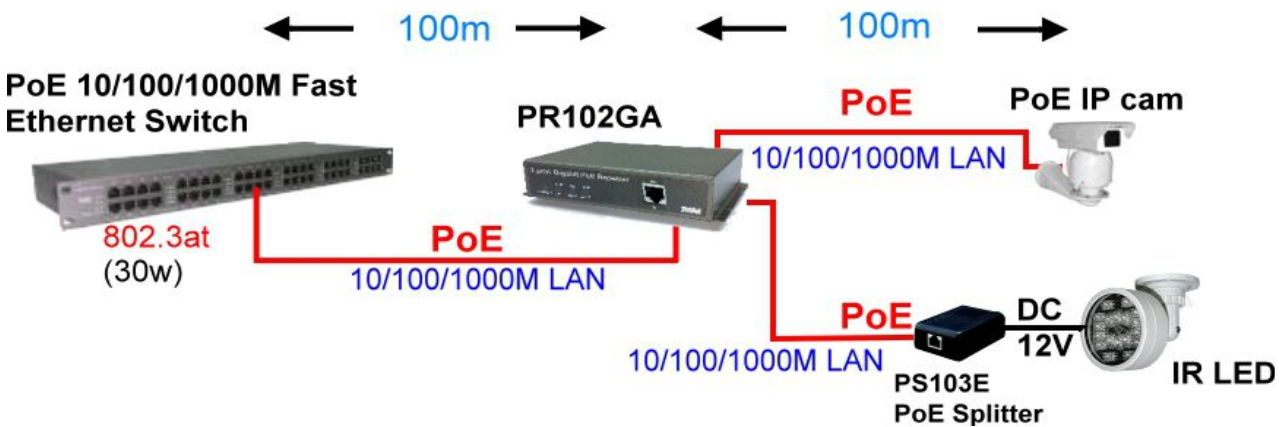
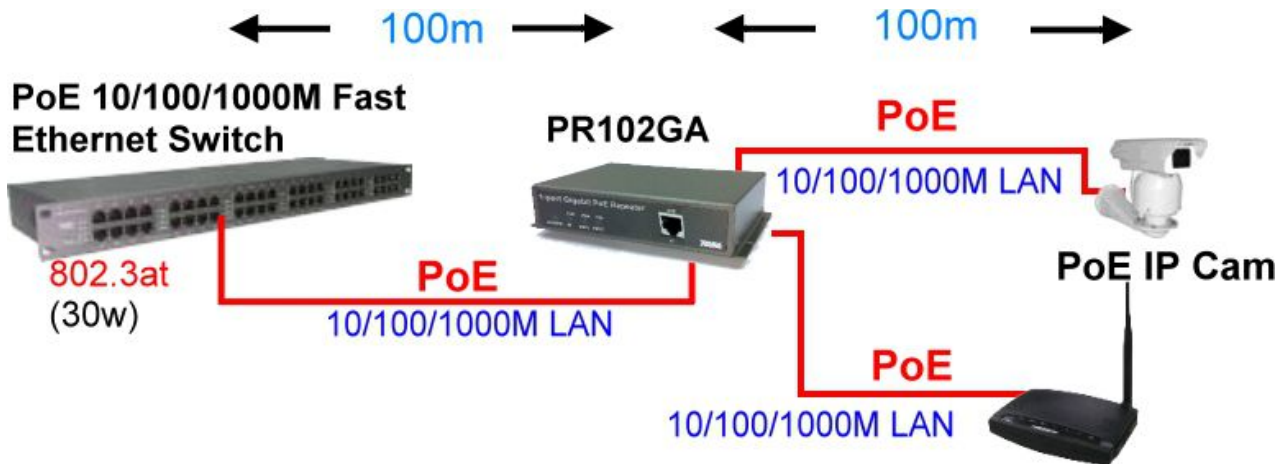
2F, No. 3-1, Industry East Road IX, Science Based Industrial Park, HsinChu, Taiwan  
Tel: +886-3-5632323 Fax: +886-3-5636420 Web: www.yoda.com.tw



Operating Environment:

- Humidity: 5% to 95% non-condensing      Temperature: 0 ~ 50 degree C

**Application: IP Surveillances with PR102GA**



**Yoda Communications, Inc.**

2F, No. 3-1, Industry East Road IX, Science Based Industrial Park, HsinChu, Taiwan  
Tel: +886-3-5632323      Fax: +886-3-5636420      Web: www.yoda.com.tw

