

YODA PI100

1-Port 10/100M

Midspan Injector

19w



Product Overview

Yoda PI-100 is a single port, PoE PSE solution for remote PoE PD devices. Generating up to 19W, PI-100 supplies remote power for new applications such as wireless Access Points, pan-tilt- zoom (PTZ) IP cameras and video-phones. It complies to IEEE 802.3at PoE standard and backward compatible to IEEE802.3af. It can work with 10/100Base-T networking devices and emerging 1000Base-T devices such as Wi-MAX and wireless IEEE 802.11n access points.



Key Features

- IEEE 802.3at/af Power over Ethernet (PoE) standard
- 1-Port 10/100Mbps Ethernet
- Provides up to 19 watts for PoE

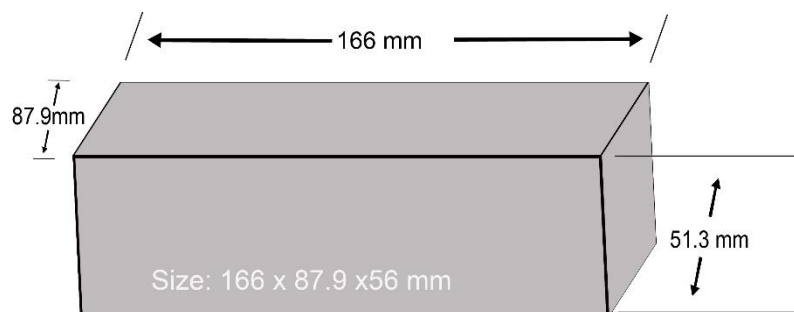


Technical Specifications

No. of PoE PSE Ports	1 ports FE Auto-MDIX in , 1 port PoE out
Pass Through Data Rates	10/100Mbps
Pin Assignment and Polarity	4/5(+),7/8(-)
Output Power Voltage	52 VDC Maximal
User Port Power	19 Watts Maximal
Input Power AC Input Voltage	100 ~ 240 VAC
Requirements AC Input Current	0.8A @ 100-240 VAC
AC Frequency	50 to 60 Hz
Dimensions	166 x 87.9 x 51.3 mm
Weight	350g
Indicators	System Indicator: AC Power (Green)
Connectors	RJ-45
Operating Ambient Temperature	0 to 50 °C
Regulatory	RoHS Compliant, CE
Safety Approvals	EN 60950:2006



Dimensions



Panel

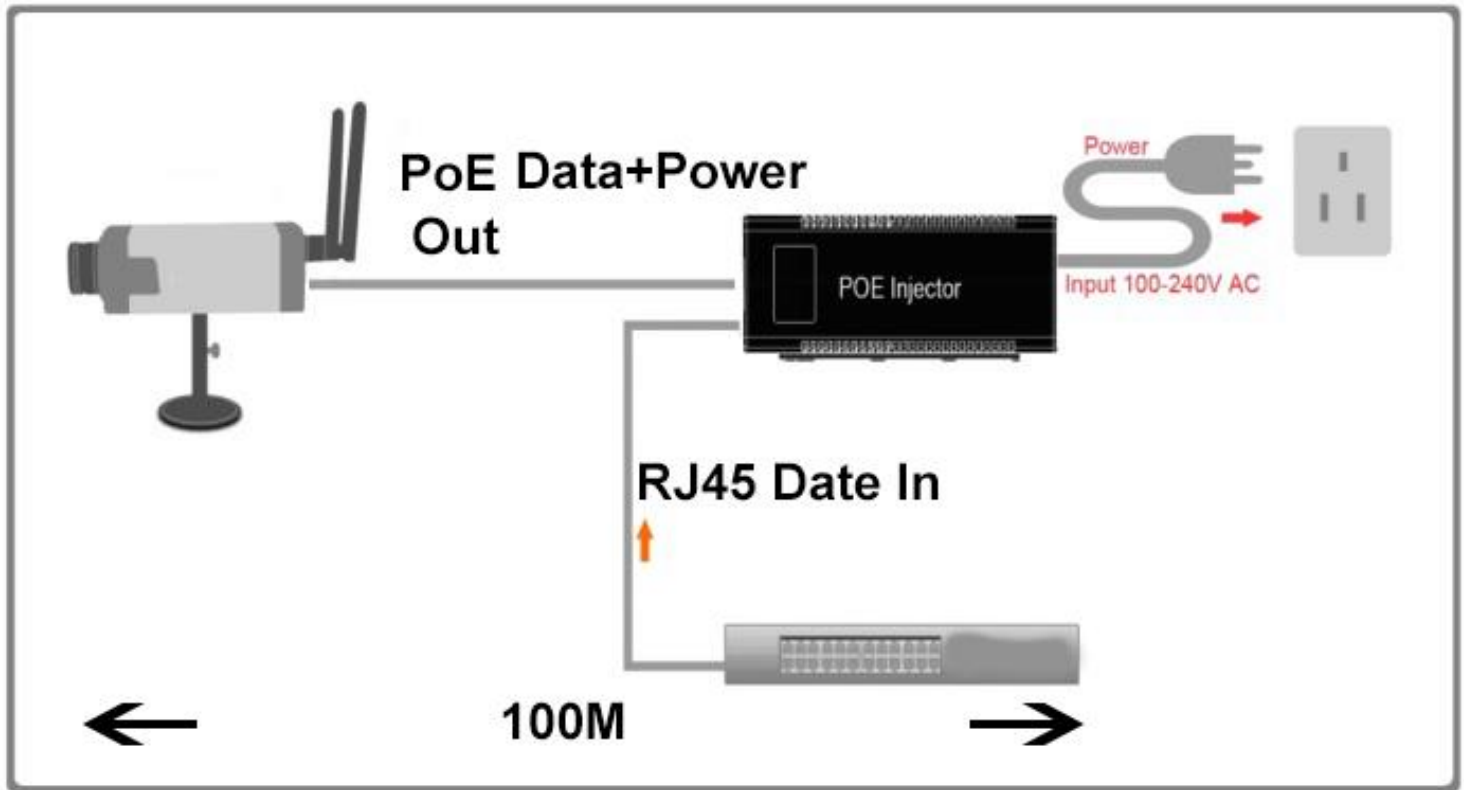
Front Panel



Rear Panel



Application



Ordering Information

PI100	1-p FE injector, 1-p Midspan PoE of 19w
PI100F	1-p FE injector, 1-p IEEE802.af PoE of 15.4w
PI100H	1-p FE injector, 1-p Midspan PoE of 30w
PI100GA	1-p GE injector, 1-p IEEE802.at PoE of 30w
PI100GH	1-p GE injector, 1-p Midspan PoE of 30w

