



PH800GD-6K

8p Giga PoE Injector Hub with 6KV PoE Surge Protection



PH800GD with 19" ear holders

PH800GD is Power Over Ethernet (PoE) PSE Injector Hub. It provides not only triple protections of over-current, over-voltage and over-temperature on individual PoE port but also 6KV surge protection.

It supplies PoE power of upto 30w per port over existing LAN cable to power up IEEE 802.3at/af PoE standard network devices or through IEEE 802.3at/af based PoE splitter for non-PoE devices such as WiMAX, wireless Access Point, IP Cam, IP Phone, Access Control, 3G/LTE router, etc. which is located outdoor.

Specification

Hardware Specification	
Interface	"Data" Input Ports: 8 x RJ-45 UTP "PoE (Data+Power)" Output Ports: 8 x RJ-45 UTP
LEDs	Power x 1 (Green), PoE Status x 8 (Green)
Network Cable	10Base-T: 2-Pair UTP Cat. 3, 4, 5, up to 100m (328ft) 100Base-TX: 2-Pair UTP Cat. 3, 4, 5, up to 100m (328ft) EIA/TIA- 568 100-ohm UTP (100m)



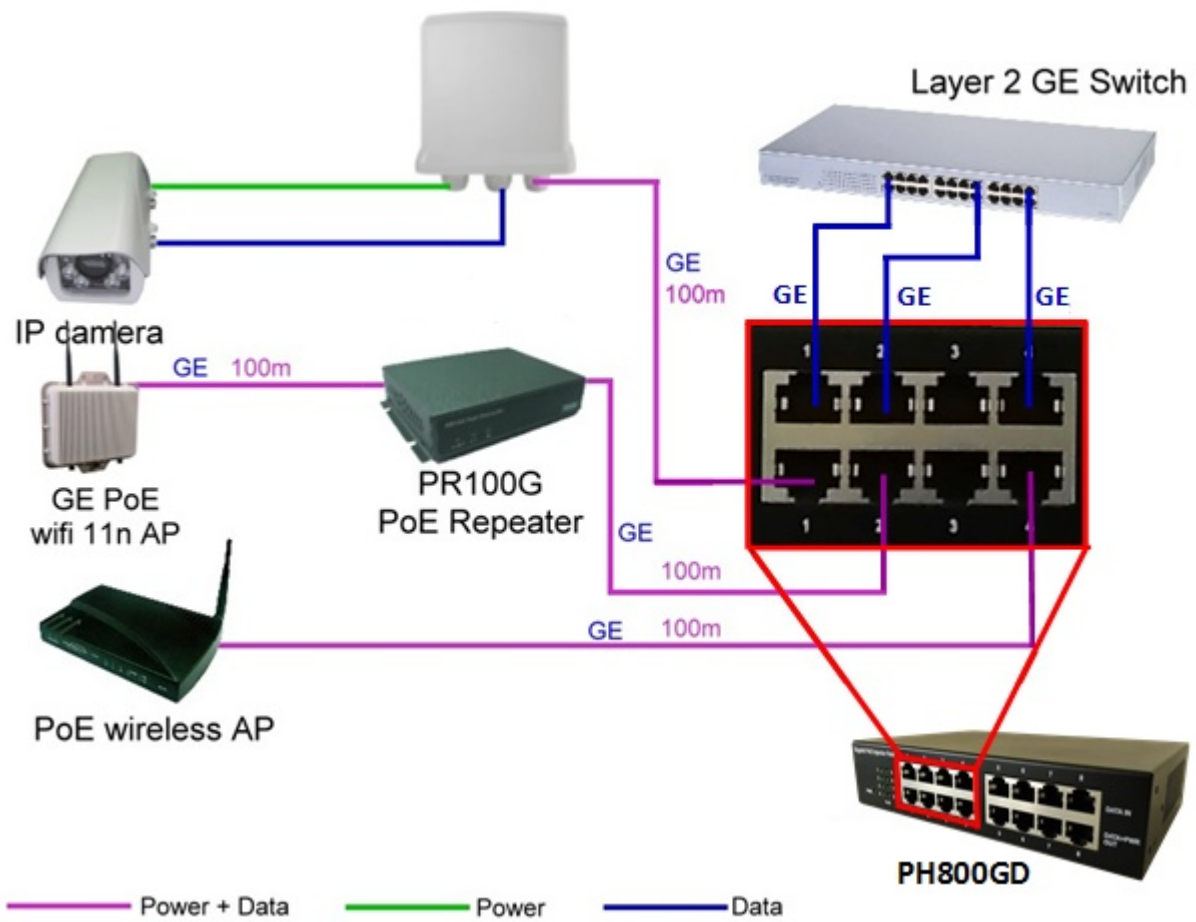
	1000Base-TX: 2-Pair UTP Cat. 3, 4, 5, up to 100m (328ft)
Dimension (W x D x H)	185 x 120 x 44 mm (Device only), 19" ear holder (option)
Weight	0.8kgs (Device only)
Operating Temperature	0 ~ 40 Degree C
Storage Temperature	-40 ~ 70 Degree C
Humidity	5 ~ 95% (Non-condensing)
Power over Ethernet	
PoE Standard	IEEE 802.3at/af PoE standard
PoE Function	Auto Recovery , OVP , OCP, OTP
PoE Power Output	Per Port DC 56V/30watts
PoE Surge Protection	6KV
Power Pin Assignment	1/2(+), 3/6(-)
PoE Power Adaptor	120watt (PH800GD-6K) or Terminal Block for DC power
Standards Conformance	
Standards Compliance	IEEE 802.3 10Base-T Ethernet IEEE 802.3u 100Base-TX Fast Ethernet IEEE 802.3ab 1000Base-TX Giga Ethernet IEEE 802.3at/af Power over Ethernet
Regulation Compliance	FCC Part 15 Class A, CE

Ordering Information

PH800GD-xxx	8p GbE PoE PSE Injector Hub, power adaptor of 36w/65w/90w/120w
PH800GD-6K	6K PoE Surge Protection
PH800GD-Rack	19" Rack Holder pair

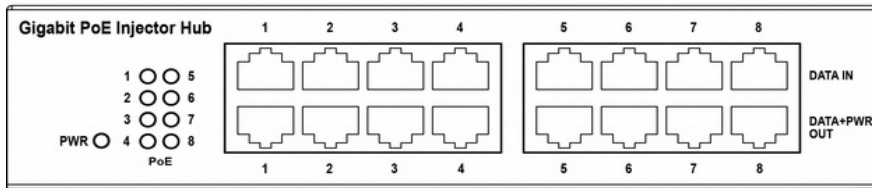
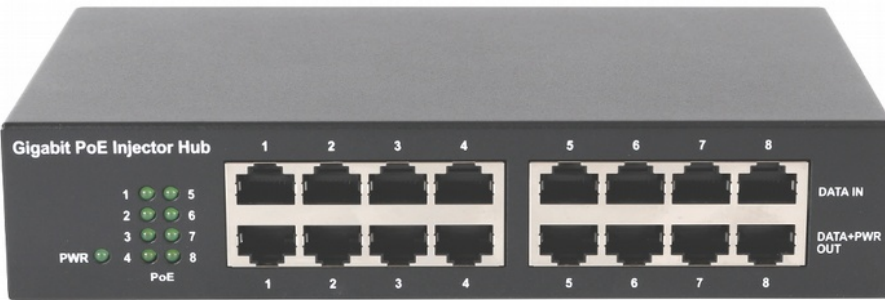


Application





Front Panel



Rear Panel

