



24p PoE Hub (Patch Panel)

PH2400



PH2400 is 24-port rack mounted Power Over Ethernet (PoE) Hub (Patch Panel). It provides triple protections of over-current, over-voltage and over-temperature on individual PoE port.

It supplies PoE power of upto 15.4w or 30W per port over existing LAN cable to power up IEEE 802.3af compliant network accessories or through PoE splitter for non-PoE devices such as wireless Access Point, IP Cam, IP Phone, Access Control, etc.

Specification

| Hardware Specification | |
|------------------------|---|
| Interface | "Data" Input Ports: 24 x RJ-45 STP "PoE (Data+Power)" Output Ports: 24 x RJ-45 STP |
| LEDs | Power x 1 (Green), PoE Status x 24 (Green) |
| Network Cable | 10Base-T: 2-Pair UTP Cat. 3, 4, 5, up to 100m (328ft) 100Base-TX: 2-Pair UTP Cat. 3, 4, 5, up to 100m (328ft) EIA/TIA- 568 100-ohm STP (100m) |
| Dimension (W x D x H) | 480 x 60 x 44 mm (1U height) |



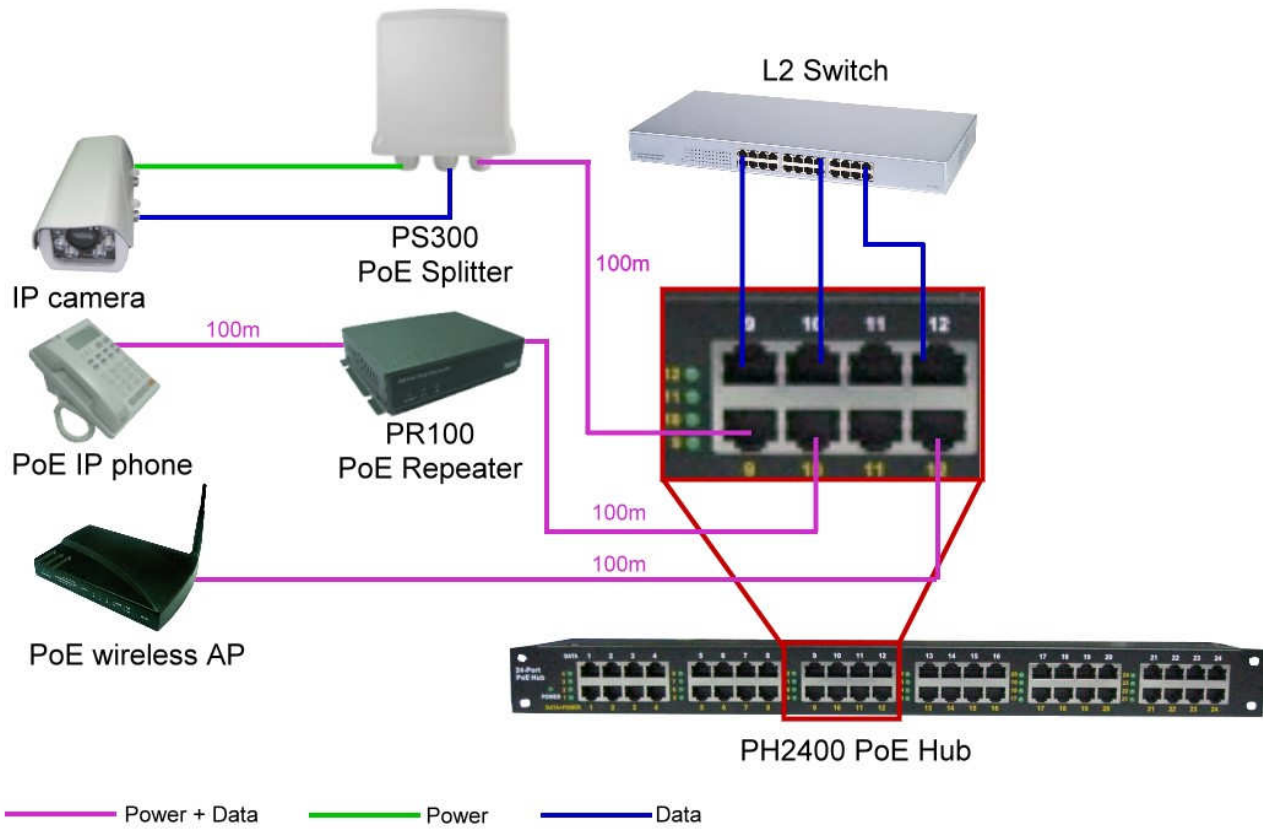
| | |
|------------------------------|--|
| Weight | 1.2kgs without external power module |
| Operating Temperature | 0 ~ 50 Degree C |
| Storage Temperature | -40 ~ 70 Degree C |
| Humidity | 5 ~ 95% (Non-condensing) |
| Power over Ethernet | |
| PoE Standard | IEEE 802.3af PoE / Mid-Span |
| PoE Function | Auto Recovery , OVP , OCP, OTP |
| PoE Power Output | Per Port DC 48V 15.4 watts or 30 watts |
| Power Pin Assignment | 4/5(+), 7/8(-) |
| PoE Power Budget | Available external DC power with terminal connector, power jack |
| Standards Conformance | |
| Standards Compliance | IEEE 802.3 10Base-T Ethernet IEEE 802.3u 100Base-TX Fast Ethernet IEEE 802.3af Power over Ethernet |
| Regulation Compliance | FCC Part 15 Class A, CE |

Ordering Information

| | |
|------------|--|
| PH2400-30 | Mid-span PoE Hub per port 30W , External DC power with terminal connector. |
| PH2400I-15 | Mid-span PoE Hub per port 15.4W, Internal 400W Power |
| SP-200-48 | 48VDC/200w external power module, and power cord |
| SP-320-48 | 48VDC/320w external power module, and power cord |
| SP-500-48 | 48VDC/500w external power module, and power cord |
| SP-750-48 | 48VDC/750w external power module, and power cord |



Application



External VDC Power Module (SP-320-48)

