

# DI100GT

## 10G Outdoor PoE injector

### 90W Output

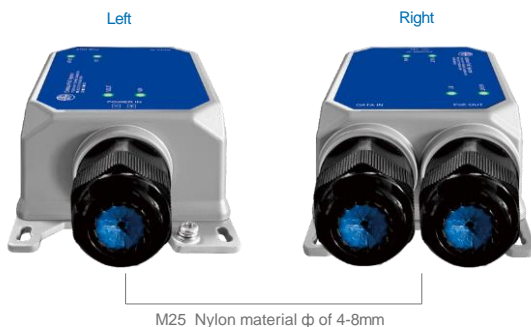


#### Product Introduction

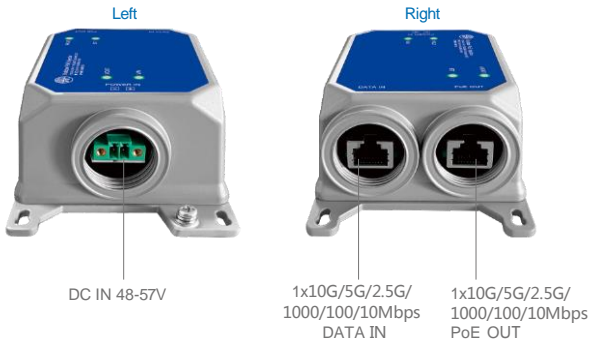
The DI100GT outdoor PoE injector delivers a maximum output power of 90W onto the 10 gigabit Ethernet data input for data transmission. With waterproof of IP67 level, it takes DC power input from DC48V~57V and delivers standard IEEE802.3af/at/bt 90Watt PoE output. It may provide power to the outdoor network devices, such as the IP cameras, the APs, and other devices that support for standard PoE power supply.

#### Product display and description

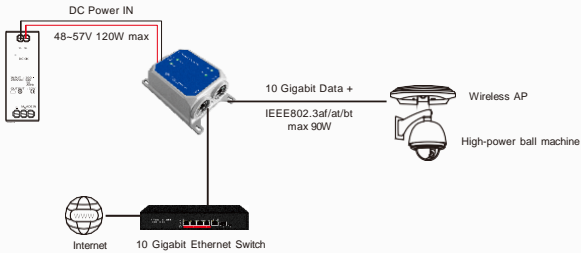
Schematic diagram with cable sealing cover



### Schematic diagram without waterproof cable sealing cover

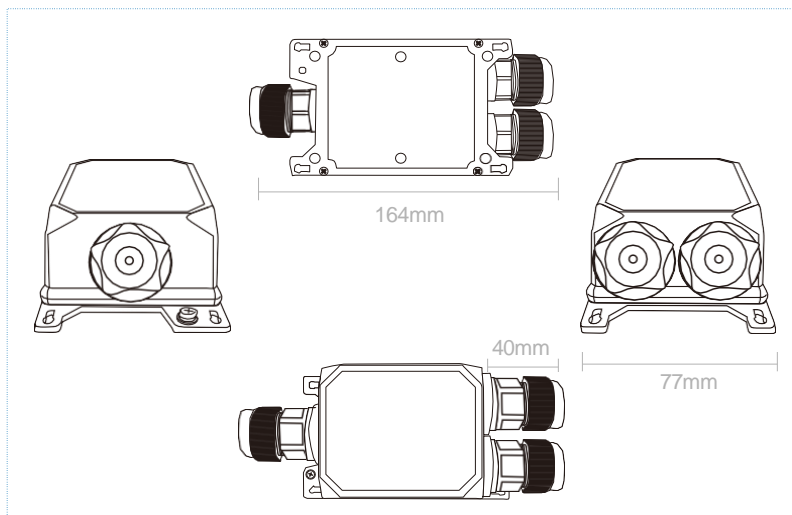


### Product Connection Diagram

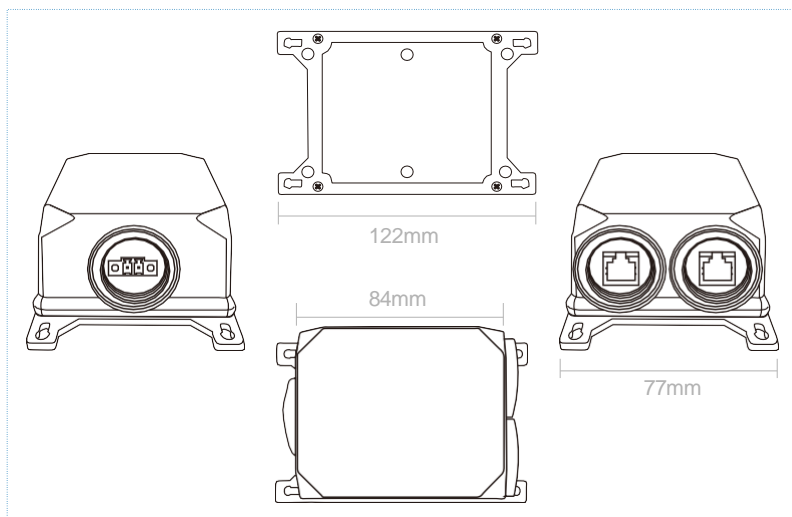


## Product diagram

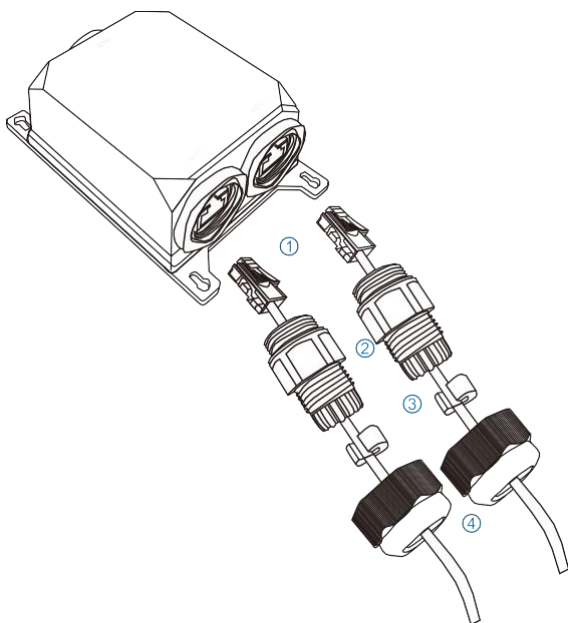
### Schematic diagram with cable sealing cover



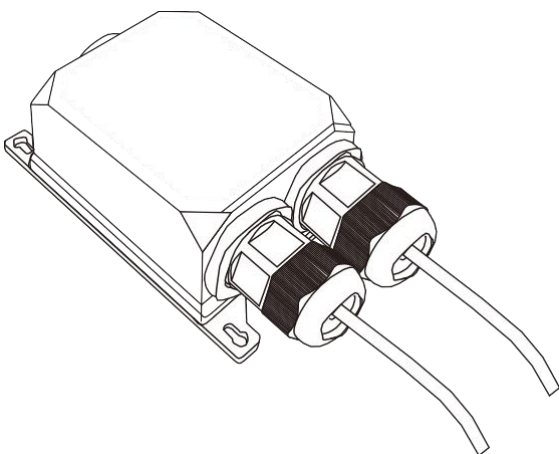
### Schematic diagram without cable sealing cover



## Connection Splitting Diagram



## Connection Diagram



## Hardware parameters

Model	<b>DI100GT-90W-ODU</b>
Product name	Outdoor 10Gigabit PoE injector
Material	Aluminum die-casting body Nylon joint
Waterproof	Support IP67
Wire diameter	Support network cables with a $\Phi$ of 4-8mm
Data Ports	1*10/100/1000/2.5G/5G/10GBASE-TX Data In 1*10/100/1000/2.5G/5G/10GBASE-TX PoE Out
DC input	DC48V-57V MAX 120W
PoE output standard	Standard IEEE802.3af/at/bt, 90W
PoE power polarity	AF/AT: Pin1,2(+), Pin3,6(-) BT: Pin1,2(+), Pin3,6(-), Pin4,5(+), Pin7,8(-)
Distance	10BASE-T : Cat3,4,5 UTP ( $\leq$ 250 meter) 100BASE-TX : Cat5 or later UTP ( $\leq$ 100 meter) 1000BASE-TX : Cat5e or later UTP ( $\leq$ 100 meter) 2.5GBASE-TX : Cat5e or later UTP ( $\leq$ 100 meter) 5GBASE-TX : Cat6 or later UTP ( $\leq$ 80 meter) 10GBASE-TX : Cat7 or later UTP ( $\leq$ 50 meter)
LED indicator light	VIN: Power input is normal VOUT: Output voltage is normal AF/AT: PoE output is ON for IEEE802af/at BT : PoE output is ON for IEEE802bt
Operating Temperature /Humidity	-40 ~ 80°C ; 5% ~ 90% RH Non condensing
Storage Temperature /Humidity	-40 ~ 90°C ; 5% ~ 95% RH Non condensing
Product /Packing size ( L*W*H )	164mm*77mm*43mm 170mm*85mm*47mm
N.W/G.W ( kg )	0.27kg/0.31kg
Installation	Desktop, Wall installation
Protection Level	8KV-AIR 8KV-ESD 6KV-Lightning
Certificate	CE-EMC EN55032; CE-LVD EN62368: FCC Part 15 Class B; RoHS;
Warranty	Whole device for 1 years (Accessories not included)