

BS6612G

Complies with 802.3bt , 66W output PoE Splitter Module

Functional Connection

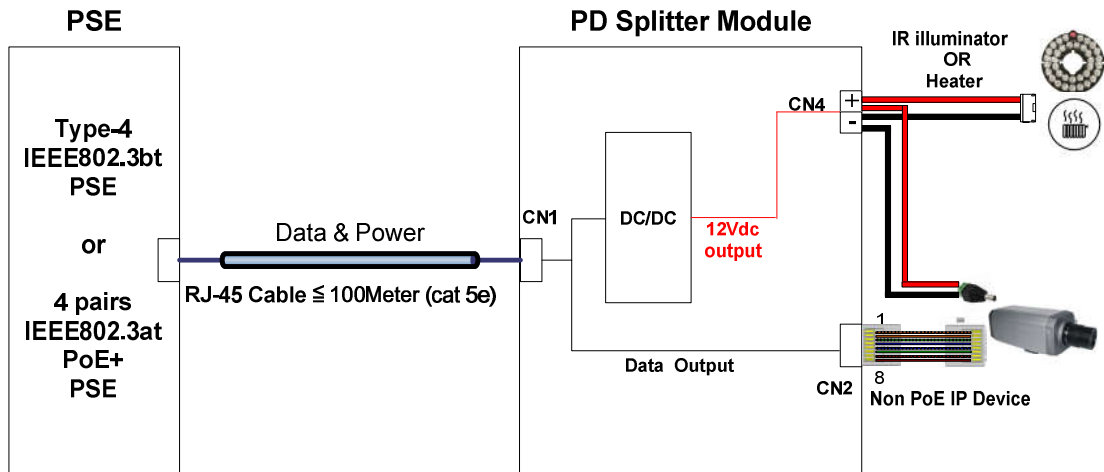


Figure 1

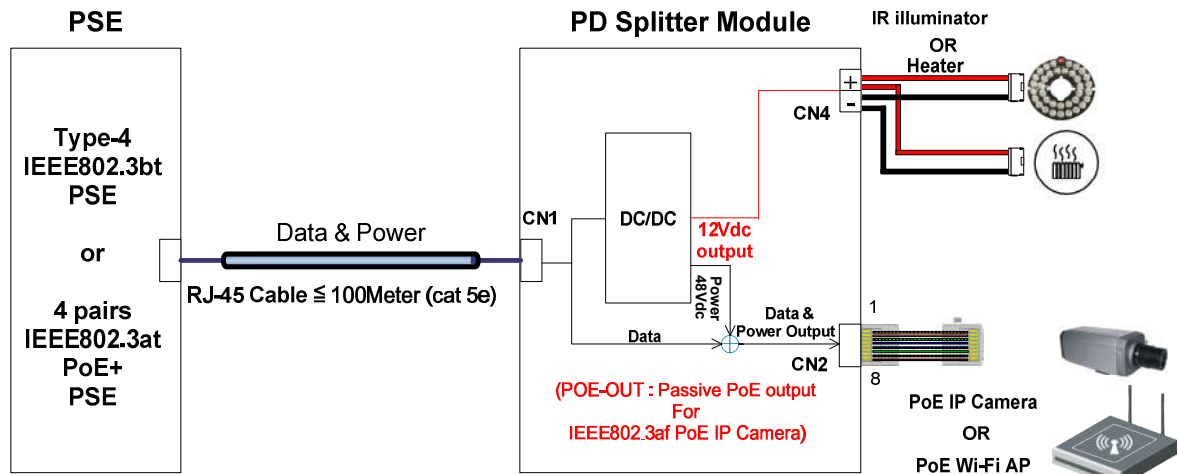
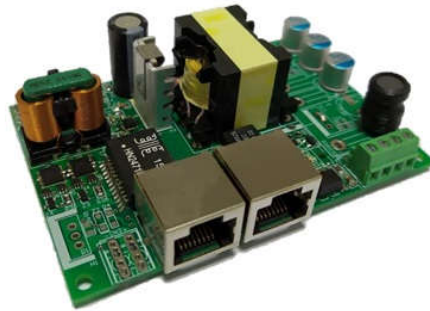


Figure 2

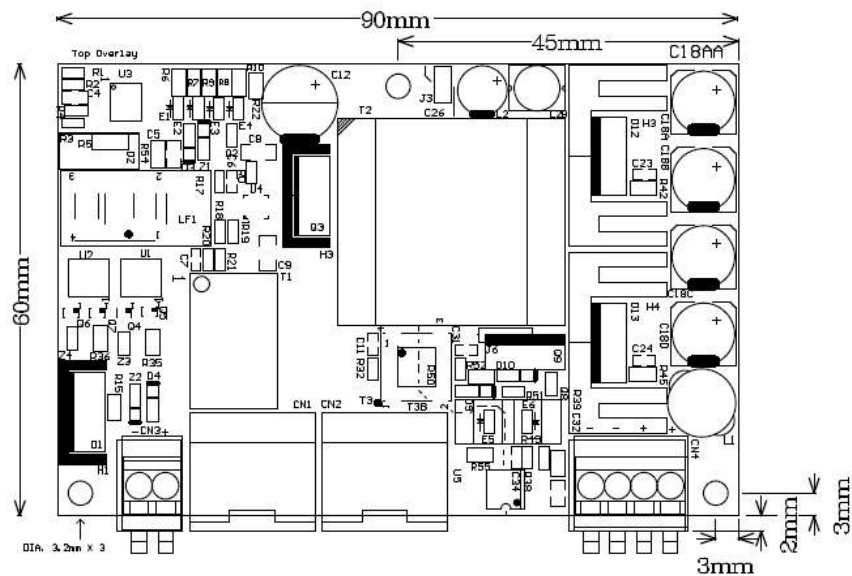


Features

- ◆ Peak 66W output PoE PD Splitter, Complies with IEEE 802.3bt standard
- ◆ Compatible with 4 pairs 802.3at PoE+ PSE
- ◆ Design for meets 10/100/1000 BASE-T
- ◆ Use an 802.3bt Type-4 PSE ,the Splitter support 66W output (@ CN1 VPoE IN=56Vdc)
- ◆ LED indicator for PSE input type and DC output status
- ◆ Over current/Over temperature Protection
- ◆ Supports high surge/ESD protection
- ◆ High Efficiency, Easy installation
- ◆ 1 year warranty(Limited)



PCB size and connectors placement



Connector definition

Part No	Type	Definition
CN1	RJ45	PoE input from 3bt type-4 PSE or 4 pairs 802.3at PoE+ PSE
CN2	RJ45	Data output (option:Passive Data output + 48Vdc)
CN4	Pitch 3.5mm 4 pin terminal block	2 DC output : DC12V/5.5Amp(total)

Electrical Characteristics (Recommended Operating Conditions)

Parameter	Symbol	Min	Typ	Max	Units
PoE Input Voltage(CN1) @60W output	V _{INPOE}	46	56	57	V
PoE Input Under Voltage Lockout(Vport rising) @Minimum load	V _{LOCK}	33	35.1	37.5	V
Operating Temperature	T _{OP}	-10		50	Ta/°C
Storage Temperature	T _{ST}	-20		70	Ta/°C

DC Electrical Characteristics(Ta=25°C)

DC Characteristic	Symbol	Min	Typ	Max	Units	Test Conditions
Output Voltage(CN4)	V _{OUT}	11.7	12.0	12.3	Vdc	Tpye 4 3bt PSE Input V _{INPOE} =56Vdc, I _{out} =5.5Amp
Output current(CN4)	I _{OUT}		5.0	5.5	Amp	
Line regulation	V _{LINE}			0.2	%	V _{INPOE} =46~56Vdc, I _{out} =5.5Amp
Load regulation	V _{LOAD}			0.3	%	V _{INPOE} =56Vdc, I _{out} =3.0~5.5Amp
Efficiency	η	90.5	91.5	92	%	V _{INPOE} =56Vdc, I _{out} =3.0Amp (Note 1)
Output Ripple And Noise	V _{RN}	130	150	200	mV _{p-p}	
Isolation Voltage	V _{ISO}			1500	Vac	Input to Output

Note 1: Ripple & Noise bandwidth is from DC to 20Mhz.Terminated with a 47uF Aluminum

electrolytic capacitor parallel with a 0.1uF Ceramic capacitor.

